

# Datasheet SEP300 – Separator big



Advanced central vacuum systems for industries

Dati Tecnici

SEP300

Filter Class "L"

Portata aria max.	m <sup>3</sup> /h	3.000
Max. vuoto amesso	mBar	350
Area filtrante tot.	m <sup>2</sup>	29
Nr. Filtri	Pz.	3
Diametro ingresso / uscita	mm	200
Capacità contenitore polvere	l	210
Dimensioni con telaio	L/P/A cm	95 x 105 x 295
Peso con telaio	kg	165

SEP300 – Separator medium

Optional:

JPC300 – Automated filter cleaning system

BIG300 – Frame for Big Bag application

ROT300 – Rotary valve for SEP300

SEN300 – Capacitive sensor which monitors the dust level

SEN301 – Mechanical sensor which monitors the dust level

FIL301 – Filter upgrade to class "M" for small separator

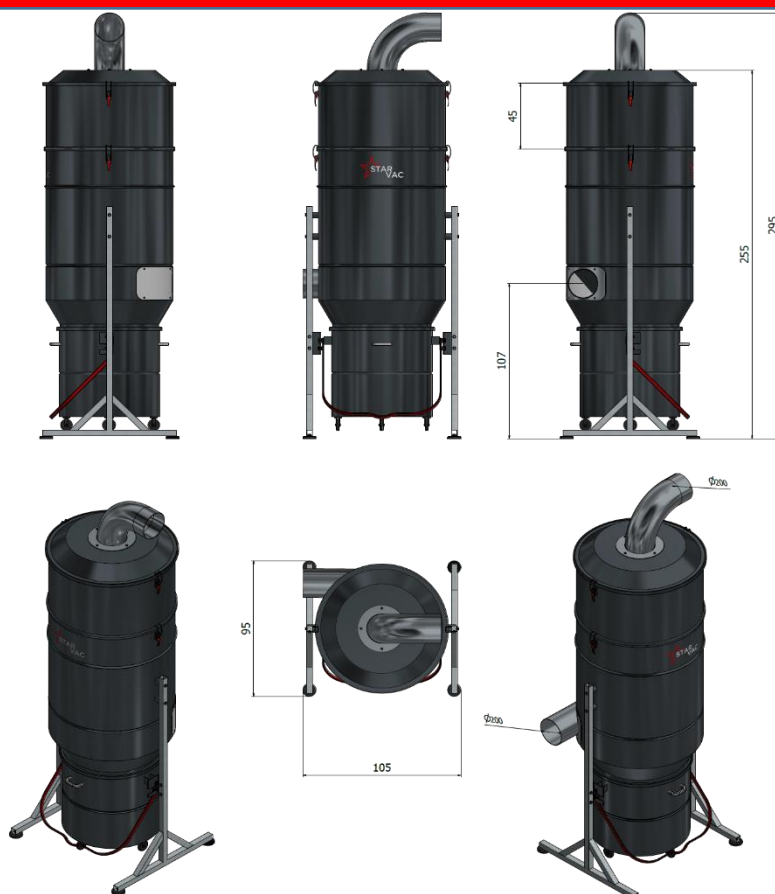
FIL302 – Filter upgrade to class "H" for small separator

ATE300 – Upgrade to ATEX class 22

BAG300 – Kit for disposable bag



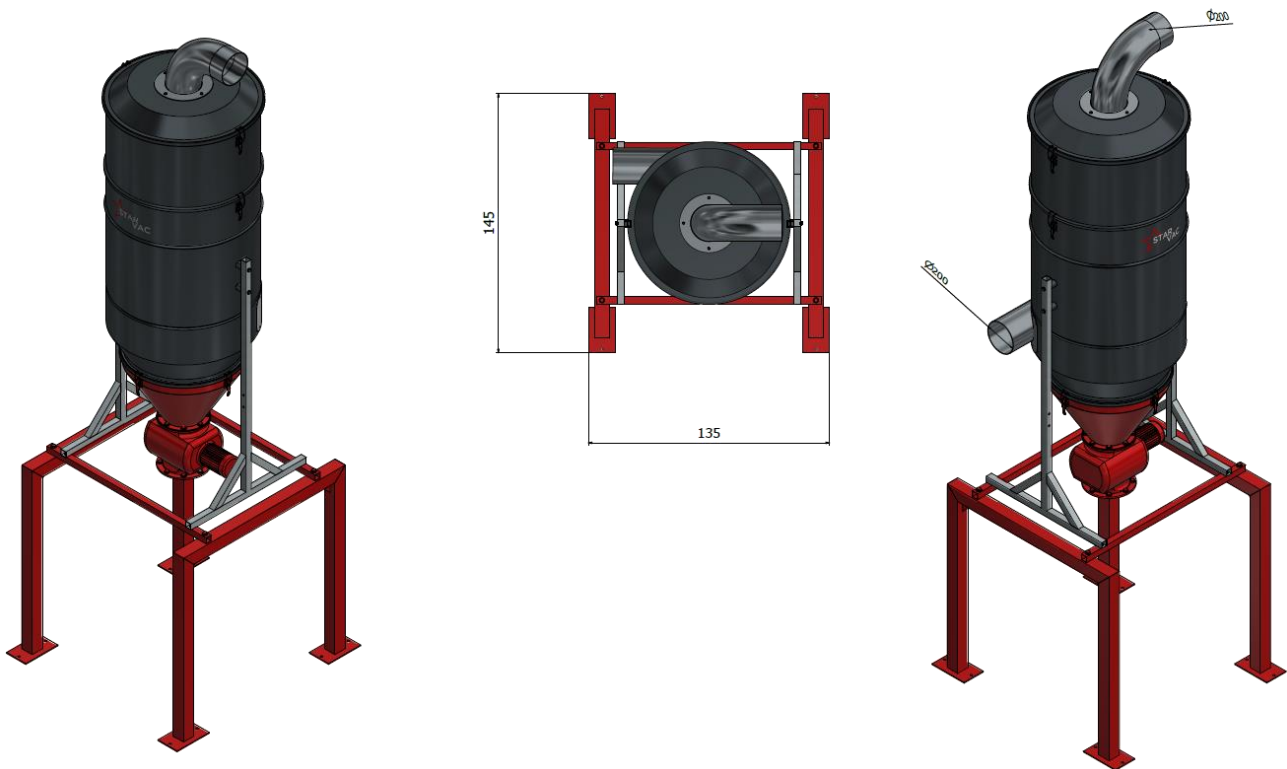
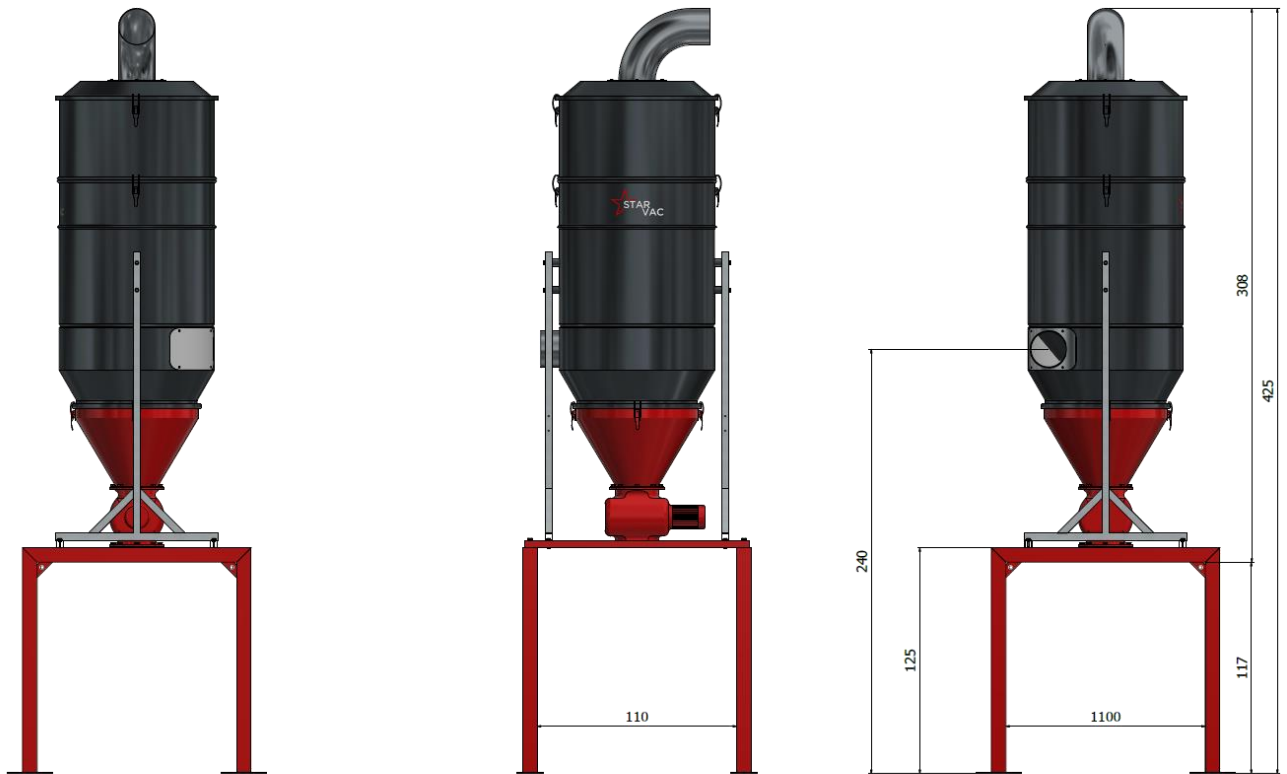
## Dimensions SEP300



## Dimensions SEP300 with JPC300

Note: SEP300 with JPC300 total height is 310cm. 15cm higher than shown above.

## Dimensions SEP300 with BIG300



## Dimensions SEP300 with BIG300 and JPC300

Note: SEP300 with BIG300 and JPC300 total height is 440cm. 15cm higher than shown above.